

## UV DETERIORATION

Prolonged exposure to direct sunlight can weaken the fabric of the tent. To avoid the risk of UV Deterioration, site the tent in a shaded area, where it will be protected from exposure to strong sunlight.

## MOISTURE

Moisture collecting on the inside of the tent fabric is condensation caused by the occupier. It is NOT a sign of leakage.

Note that condensation or damage caused by it, is NOT covered by the manufacturer's warranty.

## SEAMS

This tent has all its main seams hot air taped to help prevent leakage. The remaining seams should be treated with a seam sealant to maximize the tents weatherproofing.

Seam sealant should also be applied to main seams where the tape has lost adhesion or has been damaged (tie points or suspension points for example).

Seam sealant is available from your SunnCamp stockist.

## DISMANTLING

To dismantle the tent, simply reverse the erection procedure, ensuring the door is open to allow air to escape.

All poles must be dismantled and the tent should be carefully rolled prior to placing back in the carry-bag.

Please ensure that when packing away, the detachable organisers are removed and packed separately from the flysheet.

## WARRANTY

This Tent is covered by a 12 month warranty. The Company undertakes to replace or repair, free of charge, any defect which the Company considers to be due to faulty workmanship or material within 12 months of the purchase date, except for:

- Defects arising from neglect, misuse or unauthorised modifications.
- Damage caused by storm, abuse, misuse, dropping or other similar damage caused by or as a result of failure to follow storage or erection instructions.
- Unauthorised alterations, additions or repairs.
- Transportation or shipment costs to and from the Manufacturer or their recognised agents, for repair or assessment against a warranty claim.
- Damage caused due to UV degradation.
- Materials and/or labour costs to renew, repair or replace components due to fair wear and tear or condensation.
- Tents used on permanent sites or displays.

**THIS DOES NOT AFFECT YOUR STATUTORY RIGHTS.**

The Manufacturer and/or their recognised agents, directors, employees or insurers will not be held liable for consequential or other damages, losses or expenses in connection with or by reason of or the inability to use the tent for any purpose.

NOTE; Any claim(s) arising due to missing parts or faulty goods MUST be made before use. The manufacturer will not be responsible for any claims regarding missing parts or faulty items where the product has not been checked by the user prior to use.



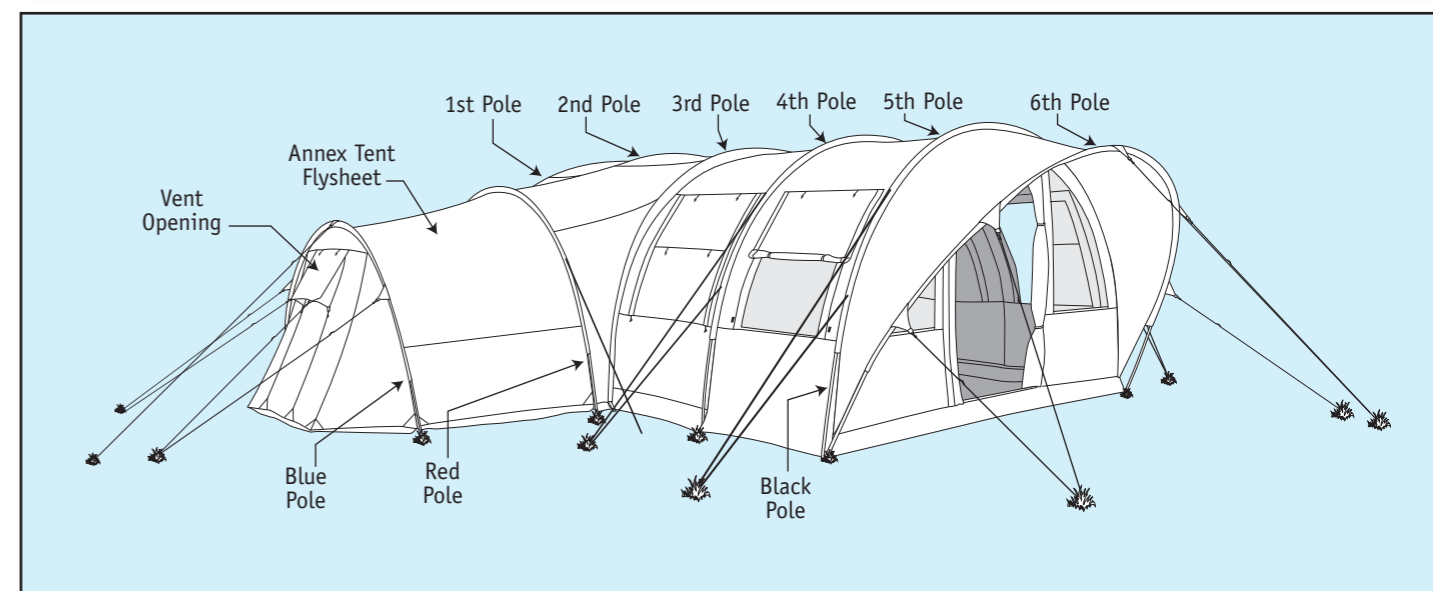
# SunnCamp

## FAMILY VARIO 900

*Thank you for purchasing the Family Vario 900 Tent from SunnCamp.*

*Before erecting this tent, carefully read and understand these instructions. If there is anything you do not understand, contact your retailer for advice.*

*By following the instructions on erecting, dismantling, packing and storing the tent you will enjoy many years of trouble free camping.*



## PARTS LISTING

Your Family Vario 900 Tent consists of the following items and you should check everything is present before setting off.

Tent Flysheet	1
Annex Tent Flysheet	1
Three/Two Berth Inner Tent	2
Two Berth Annex Inner Tent	2
Black Poles Shock Corded	6
Red Poles Shock Corded	2
Blue Poles Shock Corded	2
Roof Tensioning Poles	2
Tent Peg Bag	1
Repair Kit	1
Tent Carry-Bag	1

It is a requirement of the warranty that you unpack and erect this tent at home prior to proper use. This will enable you to familiarise yourself with the tent and check all parts are present and in good condition.

If you find any part missing or a fault with your tent, contact the retailer before returning or using it.

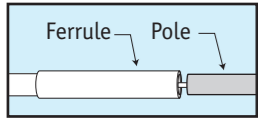
## SITE SELECTION

Choose a location where the ground is flat, smooth and dry. Position the tent entrance away from the direction of the wind. Do not position on sharp, rocky or rough ground.

## GETTING STARTED

Unpack the tent and place the carry-bag somewhere safe. Separate all components and check that everything is present.

## POLES

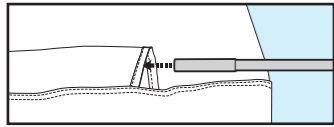


Take each Shock Corded Pole and slot together.

The Poles are folded down to aid storage. When fitting the pole sections together, make sure that the pole body is fully inserted into its adjoining ferrule.

To ensure that all poles are inserted into the correct sleeve, both pole and sleeve carry the same colour coding.

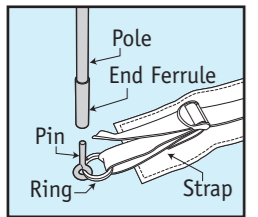
## TENT



Lay the tent out on the selected ground area with the entrance correctly positioned.

Starting with the sleeves that run across the top of the main tent and front canopy, insert the black shock corded poles one into each sleeve.

Each pole end is held captive by a pin on a ring fitted to the end of an adjustable webbing strap.



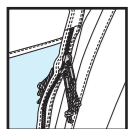
The ring is also used as the securing point for the tent peg.

Starting with the pole at the back of the tent, insert the ring pin into the end of the pole. Next, go to the other end of the pole and insert the ring pin to bring the pole under tension. Repeat this with the remaining poles.

Note that the front pole and canopy pole both attach to pins fitted to the same ring.

Bring the tent to an upright position by pegging out the front and rear guy ropes. (These may need to be re-pegged at a later stage.)

## FRONT AND SIDE ENTRANCE

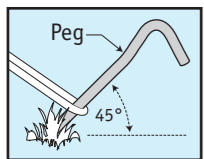


You should now ensure that all entrances to the tent are closed with all zips fully secured. If this is not done now, the tent will be out of alignment when fitting the tent pegs.

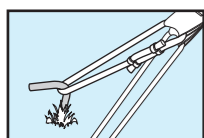
## TENT PEGS

Starting with the four corners, secure the base to the ground using the tent pegs.

Secure the flysheet to the ground by inserting tent pegs through the pegging points.



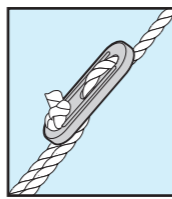
When inserting into the ground, the peg should be set at a 45 degree angle away from the tent. Pegs should be hammered into the ground using a suitable mallet and NOT pressed in with the foot. Most bent pegs are caused by using your foot rather than a mallet.



Peg removal can be made easier if you use a suitable extractor.

Pegs that are used to secure an entrance or door opening can be left slightly raised. This will allow easy hooking and unhooking when opening or closing the door.

## GUY ROPES



Secure each guy rope, positioning its tent peg at a suitable distance from the tent. If fitting the annex, guy ropes attached to pole sleeves 3 and 4 must be off set at 45 degrees to facilitate the annex.

Once in position, tighten the ropes equally to bring the tent into its natural shape. DO NOT over tighten. To tighten, Hold the rope above the slider and pull the slider up. To release, again hold the rope above the slider and pull the slider down.

Remember that all guy ropes are a trip hazard especially in the dark.

## ROOF TENSION POLES

To improve the tents rigidity, the two sets of roof tension poles will be inserted inside the tent once the main erection is complete.

Open the front entrance making sure that the side zips are fully undone. Roll it fully up and secure in place with the loop and toggle.

Slot the first set of tension poles together. Make sure that the adjustable end section, fitted with a lock screw, is loosely fitted.

Next, insert the fixed end of the roof tension pole into the left or right hand retainer sleeve at the rear of the tent. Keep the pole captive within the retainer sleeve as you walk to the front of the tent.

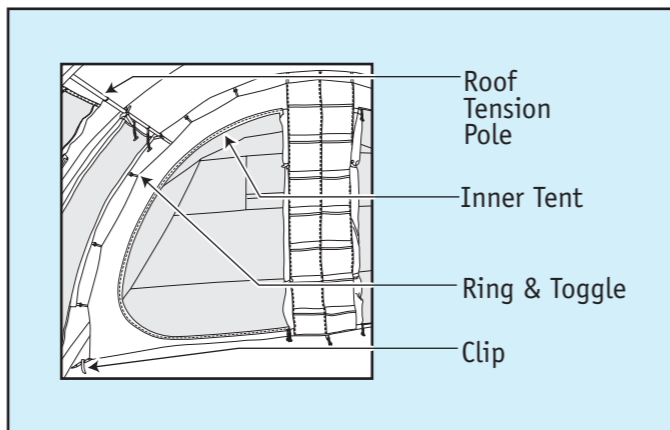
Raise the pole and insert the adjustable end section in to the front retainer sleeve. Carefully pull the pole and end section apart to bring them under tension, then lock in place by turning the lock screw clockwise.

Once in place, secure the tension pole along the length of the tent with the captive ribbons using a bow. Finally, fit the remaining pole to the other side of the tent.

A cover with velcro fastenings is supplied for each lock screw to protect the flysheet. These should always be fitted.

## INNER TENTS

Fit one of the inner tents starting at the back, attaching each ring to its respective toggle. The front outer corner connectors are fitted with a simple clip system. Note that some may be colour coded and you should use this system as a guide for correct location. Repeat with the remaining inner tent if required.

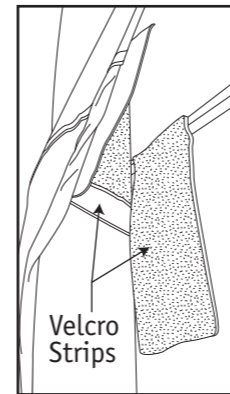


## ANNEX

Open both side entrances of the main tent. Lay the annex tent flysheet out on the ground and insert all the blue and red shock corded poles into their respective sleeves.

With help, raise the annex tent flysheet over the main tent aligning it on either side with the main tent's side entrances. Position the annex's fabric edges so that they just lip over the 1st and 3rd poles of the main tent. Align the eight velcro fastenings at the sides of the annex to the main tent and peg the four corresponding pegging points using the tent pegs.

Starting with the orange pole on one annex, insert the ring pin into the end of the pole. Next, go to the other end of the pole and insert the ring pin to bring the pole under tension. Repeat this with the green pole and both corresponding poles on the other side.



Bring the annex tent to an upright position by pegging out the guy ropes. (These may need to be re-pegged at a later stage.)

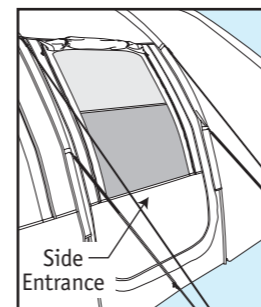
Now, starting at the four corners, secure the annex extension to the ground by inserting tent pegs through the pegging points.

Check that the annex's fabric edges just lip over the 1st and 3rd poles of the main tent and are secured in place by the Velcro strips.

## Inner Tent

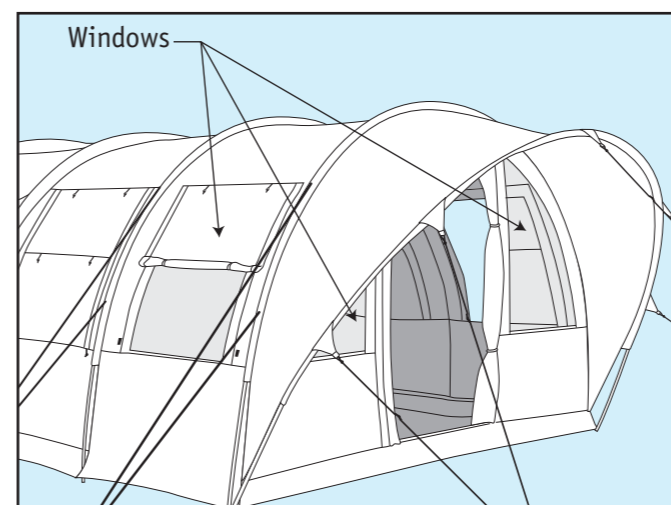
Attach the annex inner tents in the same way as the main tent.

## ENTRANCES AND PORCHES



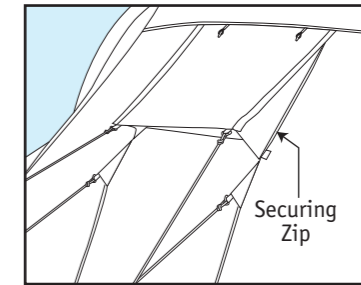
The front and optional side entrances are single skinned and can be rolled out of the way. When closed, the zip cover/baffle must be carefully secured into place, ensuring the Velcro tabs are aligned and the skirt correctly positioned, secured by tent pegs, to avoid water ingress should it rain.

## WINDOWS



The windows have curtains which can be closed and are secured in place either with hook and loop tape or full length zips. When open, carefully roll the curtain down and secure with toggle and loop.

## VENT OPENING



The vent opening offers three options.

Fully closed, it is fastened down by the two securing zips. Note that the zip cover/baffle must be carefully pressed into place to avoid water ingress should it rain.

On vent with the securing zips opened and the cover held open using guy ropes (as per the main illustration).

Fully open, move the vent zip fully up to separate the sides from the main tent, then roll and secure with toggle and loop.

## SAFETY

It is advisable to have a 'Fire' bucket filled with water, placed outside the tent. Hopefully it will never be needed, but if it is, you will be glad you made the effort.

The tent's fabric is fire retardant, NOT fire proof and therefore you must not smoke or use a naked flame in or near the tent. This includes the traditional 'camp fire'.

Guy ropes can cause a trip hazard and should be marked so that passers by can see them.

Tent pegs are also a trip hazard and should not be left 'half in'.

## CLEANING, STORING AND REPAIRS

### Cleaning...

Both inside and outside of the tent should only be cleaned using fresh clean water and a damp cloth. Do not use detergents or chemical cleaners.

The inner ground sheet can be washed with a mild detergent.

### Storing...

The tent is best stored in its original carry-bag, however, if the tent is dismantled when wet, you MUST not leave it stored until it has been thoroughly dried. After a wet pack-up, erect the tent as soon as possible and allow to fully dry naturally before repacking in the carry-bag.

If stored when wet, the tent will suffer from mildew and will become unusable.

### Repairs...

Repairs to the tent should only be made by the manufacturer's recommended agents. Repairs made by an unauthorised party will make the manufacturers warranty void.

## STORM AND WEATHER SUITABILITY

This tent is designed for light use in normal weather conditions. It is not suitable for storms, gales, sub zero or tropical conditions.